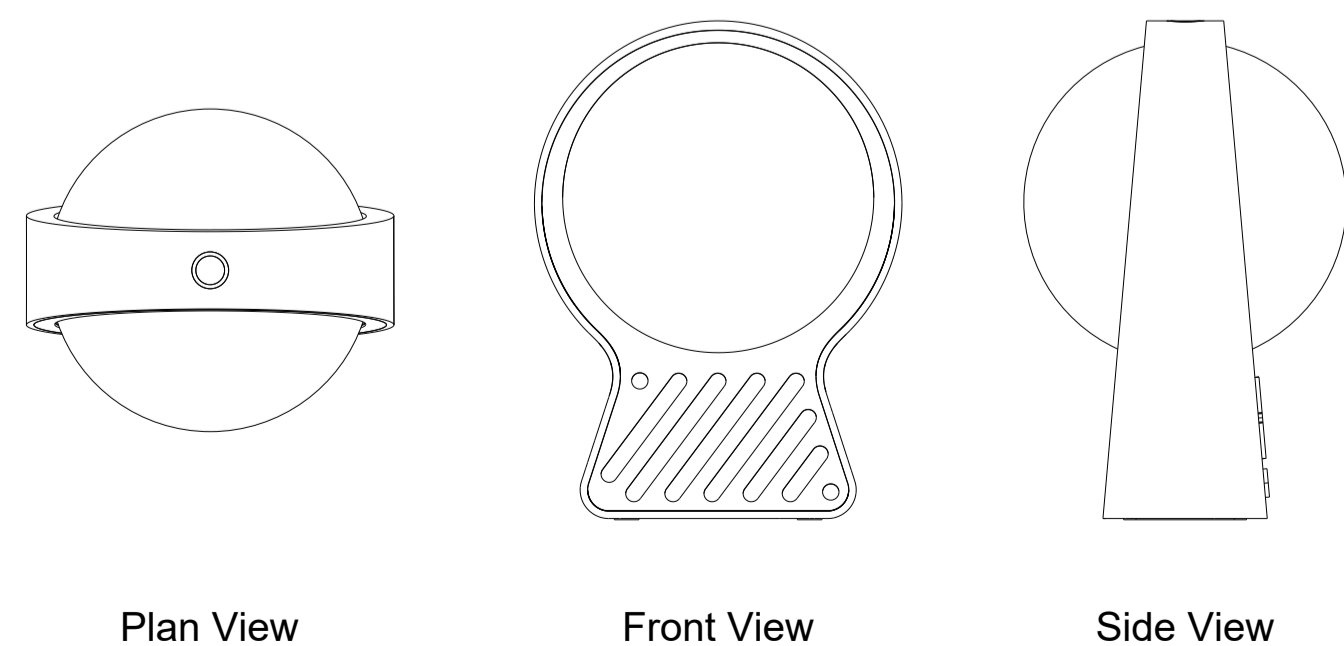
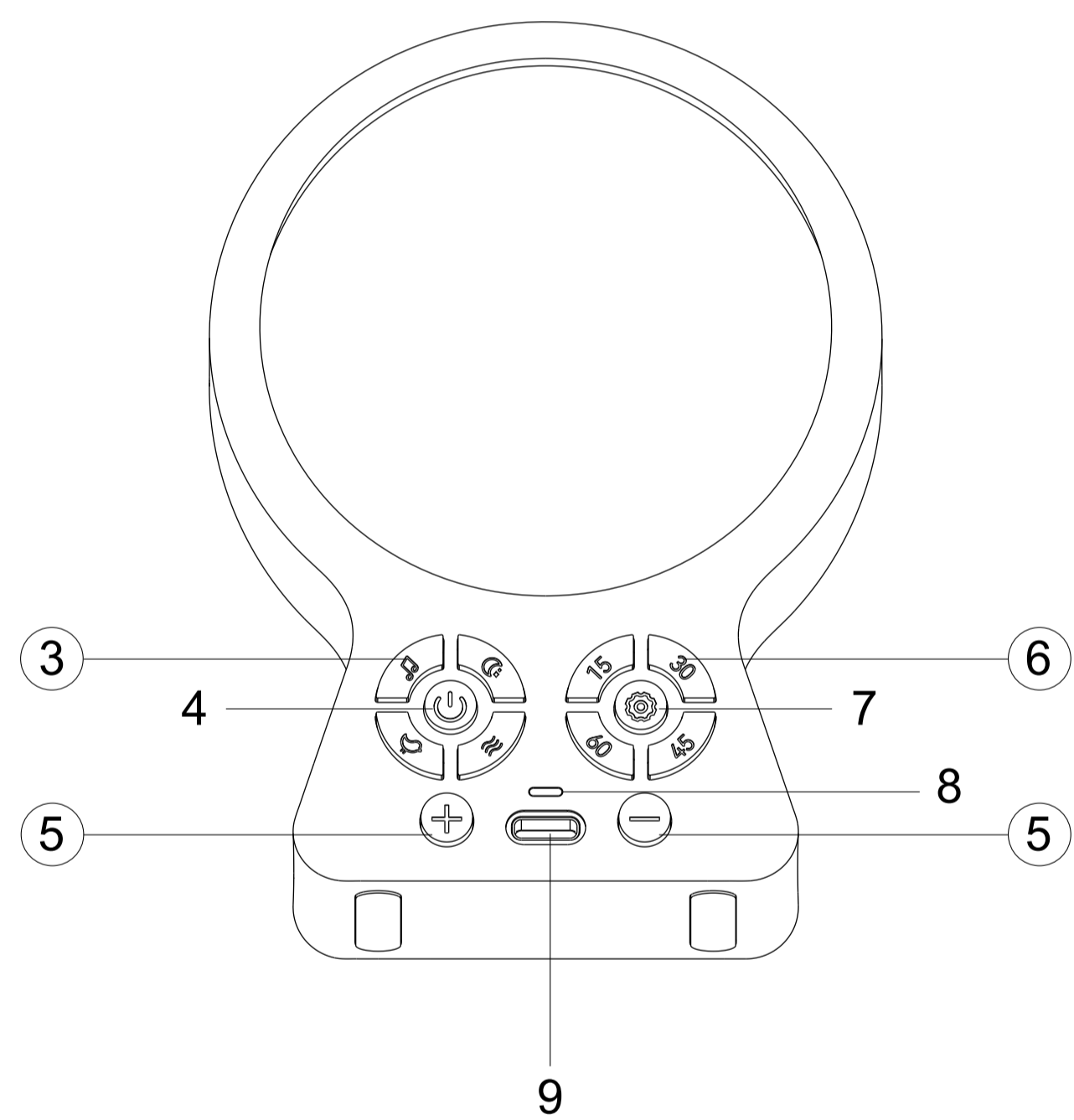
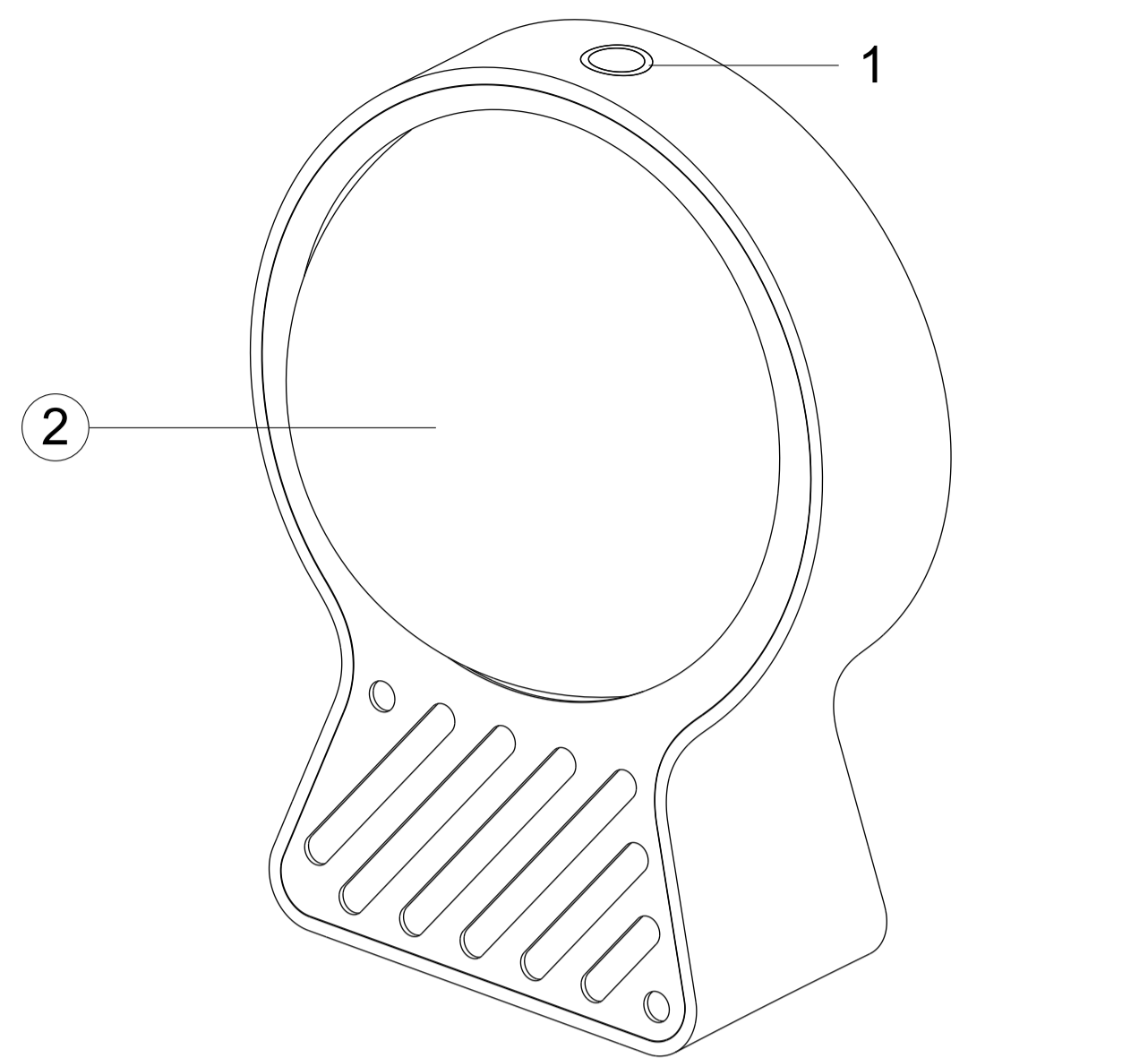


# FEVOS

# DreamWave



**盒内物品**  
1个DreamWave 1条 USB C 型充电线 1本用户手册

**产品概述**  
1.触摸区 (照明功能) 5.音量大小按键 9.USB C 型充电端口  
2.360°旋转灯 6.定时键  
3.白噪音按键 7.设定键  
4.开关机按键 8.LED 指示灯 (蓝牙和充电)

**特点**  
1 内置八种白噪音  
2 可360°旋转LED灯设计  
3 记忆系统可调光式LED灯  
4 LED指示灯可显示9种颜色 (暖白、冷白、蓝色、黄色、绿色、红色、紫色、浅粉色和浅蓝色)  
5 两台机器可TWS配对同步LED灯和白噪音  
6 适用于户外 (IPX4)  
7 可USB Type-C 充电

**充电**  
我们建议在首次使用 之前将电池充满电。  
首次通过 USB C 充满电花费约 3 小时。

LED 指示灯信息 (充电)	
使用 USB C 线缆充电	LED 灯状态 (红色)
充电	LED 指示灯持续亮起
使用中	LED 指示灯熄灭
低电量	LED 指示灯闪烁红灯
已充满电	LED 指示灯呈绿色

**使用 USB C 线缆充电**  
1.将随附的 USB C 型线缆插入充电接口。  
2.将线缆的 USB 端口插入任何 USB 充电器。

**操作说明**  
设置一个 助眠音箱

通过顶部触控按键控制灯的功能	
开灯	单击顶部触控按键
切换灯光颜色	单击顶部触控按键, 在9种颜色之间切换
切换灯光模式	双击顶部触控按键, 切换冷白+暖白和RGB灯光模式
切换呼吸灯模式	三击顶部触控按键, 切换呼吸灯模式
调整亮度	长按顶部触控按键,达到所需亮度, 松开即可
关灯	等待3秒钟, 单击顶部触控按键
下次使用时, 灯光将会使用上一次设置的灯色和灯效。	

<b>开关机</b>	长按  按键
<b>音量调节</b>	短按 + 键音量加大, 短按 - 键音量减小。
<b>白噪音播放</b>	短按 、、 键播放对应白噪音 (每个按键可控制2首)
<b>关闭白噪音</b>	长按 、、 键关闭对应白噪音
<b>定时</b>	短按 15、30、45、60 键开启和关闭对应的定时时长(分钟)
<b>模式设定</b>	短按  键切换蓝牙/音乐模式

**两个助眠音箱同步 (TWS互连)**  
• 短按 键, 切换到蓝牙模式, LED指示灯闪烁蓝色;  
• 双击 键, 开启蓝牙TWS配对, 配对成功后主机常亮蓝色, 副机闪烁蓝色;  
• 双击 键, 取消蓝牙TWS配对, 取消成功后LED指示灯闪烁蓝色;  
两个TWS互连以后, 可同时灯光效果、白噪音播放和定时。

LED 指示灯信息(蓝牙)	
操作模式	LED 灯状态 (蓝色)
蓝牙模式	指示灯快速闪烁
蓝牙连接成功	主机指示灯常亮, 副机闪烁

**安全注意事项**  
1. IPX4 级防水、防雨、防雾和防喷水。  
2. 请勿将设备放入水中, 以免造成内部短路、过热、起火、变形, 甚至内部电池爆炸。  
3. 请勿将设备存放在极热或极冷的区域。建议在室温下使用。  
4. 请勿试图自行维修、修理或拆卸设备  
5. 请确保遵守充电技术规范, 切勿使用输出电压超过规定值的电源适配器, 以避免对内部电路造成任何不可逆转的损坏 (直流输入电压: 5V)

**产品规格**  
材质: Plastic (塑胶) Bluetooth® (蓝牙) 可连接范围: 8m  
重量: 190 g / 0.42 lbs 频率范围: 2402M-2480MHZ  
尺寸: 121.5\*89.8\*79.6mm 输入接口: USB C  
最大流明输出: 50 lm 电池类型: 聚合物锂电  
色温: 电池容量: 1200 mAh  
暖白: 3000K 充电系统: USB C 型接口  
冷白: 5800K 充电时间 (USB C 型): 约 3 小时  
电池电压: 3.7V 正常续航时间: 长达 8h\* (亮度 75%)  
工作温度: 0°C - 45°C 国际质保: 1 年

\*根据用途、设置光强度和选定的光颜色而变化

**FCC警告**  
本设备符合FCC规则的第15部分  
操作符合以下两个条件:(1)此设备不会产生有害干扰。(2)此设备必须接受任何收到的干扰, 包括可能导致意外操作的干扰。  
未经规范负责方明确批准的任何变更或修改可能会使用户无权操作该设备。

注意: 本设备已经过测试, 符合FCC规则第15部分对B类数字设备的限制。这些限制旨在提供合理的保护, 防止住宅安装中的有害干扰。该设备产生用途并可以辐射射频能量, 如果不按照说明安装和使用, 可能会对无线电通信造成有害干扰。但是, 无法保证在特定安装中不会发生干扰。如果此设备确实对无线电或电视接收产生有害干扰(可通过关闭和打开设备来确定), 建议用户尝试通过以下一种或多种措施纠正干扰:

- 重新调整或摆放接收天线。
- 增加设备和接收器之间的距离。
- 将设备连接到与接收器连接的电路不同的电路插座上。
- 咨询经销商或有经验的无线电/电视技术人员寻求帮助

## English

**Box contents**  
One DreamWave 1 USB Type C charging cable 1 This user manual

**Product Overview**  
1. Touch area (lighting function) 5. Volume button 9.USB Type C charging port  
2.360° rotating light 6 Timing button  
3.White noise button 7. Setting button  
4. Switch button 8.LED indicator (Bluetooth and charging)

**Feature**  
1 Built-in eight kinds of white noise  
2 360° rotating LED light design  
3 Memory system dimmable LED light  
4LED indicator is available in 9 colors (warm white, cold white, blue, yellow, green, red, purple, light pink and light blue)  
5 Two machines can be TWS paired to synchronize LED lights and white noise  
6 for outdoor use (IPX4)  
7 USB Type-C charging

**Charging**  
We recommend that you fully charge the battery before using it for the first time  
The first full charge via USB C takes about 3 hours.

LED indicator information (Charging)	
Charge using a USB C cable	LED Light Status (Red)
charge	The LED indicator continues to light up
in use	LED indicator light off
low battery	The LED indicator blinks red
Fully charged	The LED indicator is green

**Charging with a USB C cable**  
1. Connect the attached USB C-type cable to the charging port.  
2. Plug the USB port of the cable into any USB charger.

**operating instructions**  
Set up a sleep light speaker

The function of the light is controlled by the top touch button	
turn the light on	Click the top touch button
Switch light colors	Click the top touch button to switch between the 9 colors
Switch lighting mode	Double click the top touch button to switch between cold white + warm white and RGB lighting modes
Switch breathing light mode	Three touch the top button to switch the breathing light mode
adjust brightness	Long press the top touch button to reach the desired brightness and release it
close the glim	Wait 3 seconds and click the top touch button
The next time you use it, the light will use the light color and light effect set last time.	

<b>Startup &amp; Shutdown</b>	Tap and hold  key
<b>volume adjustment</b>	Short press+ key Turn up the volume Short press— key volume down
<b>White noise play</b>	Short press 、、 key Play corresponding white noise (Each key can control 2 pieces)
<b>Turn off white noise</b>	Tap and hold 、、 key Turn off corresponding white noise
<b>timing</b>	Short press 15、30、45、60 key Turn on and off the corresponding timing period (minutes)
<b>mode setting command</b>	Short press  key Switch Bluetooth/Music mode

**Two sleep light speakers synchronized (TWS Interconnect)**

- Short press key Switch to Bluetooth mode and the LED indicator flashes blue
- Double click Enable Bluetooth TWS pairing. After the pairing is successful, the host is steady blue and the secondary blinks blue.
- Double click Cancel the Bluetooth TWS pairing, the LED indicator flashes blue after the cancellation is successful

When the two TWS are interconnected, light effects, white noise playback, and timing can be synchronized

LED indicator information (Bluetooth)	
operator schema	LED Light Status (blue)
Bluetooth mode	Fast blinking indicator light
Bluetooth connection successful	The main indicator is steady on, and the secondary indicator is blinking

**safety precautions**  
1. IPX4 waterproof, rain proof, splash proof and spray proof.  
2. Do not put the device into water to avoid internal short circuit, overheating, fire, deformation, or even internal battery explosion.  
3. do not store the equipment in extremely hot or cold areas.  
Recommended for use at room temperature.  
4. Do not attempt to repair, repair or disassemble the device by yourself.  
5. Ensure that you comply with the technical specifications for charging and do not use a power adapter whose output voltage exceeds the specified value to avoid any irreversible damage to the internal circuit (DC input voltage: 5V).

**product standard**  
Material: Plastic (Plastic) Bluetooth®(Bluetooth) connection range: 8m  
Weight :190 g/0.42 lbs Frequency range: 2402M-2480MHZ  
Size: 121.5\*89.8\*79.6mm Input interface: USB C  
Max lumen output:50 lm Battery type: Lithium polymer  
Temperature: Battery capacity: 1200 mAh  
Warm white: 3000K Charging system: USB Type C interface  
Cold White: 5800K Charging time (USBC type) : about 3 hours  
Battery voltage: 3.7V Normal battery life: up to 8h\* (brightness 75%)  
Operating temperature: 0°C-45°C International Protection: 1 year

\*Varies according to use, set light intensity, and selected light color

**FCC warning**  
This device complies with Part 15 of the FCC Rules.

Operation meets the following two conditions: (1) This equipment does not produce harmful interference, and (2) this equipment must accept any interference received, including interference that may cause unintended operation.

Any change or modification without the express approval of the responsible party for compliance may give the user no right to operate the equipment.

Note: This device has been tested to comply with the restrictions on Class B digital devices in Part 15 of the FCC Rules. These restrictions are intended to provide reasonable protection against harmful disturbances in residential installations. The device produces uses and can radiate RF energy, which, if not installed and used according to instructions, may cause harmful interference with radio communications. However, there is no guarantee that interference will not occur in a particular installation. If this device does cause harmful interference with radio or television reception (which can be determined by turning off and lifting the device), users are advised to try to correct the interference by one or more of the following measures:

1. Readjust or place the receiving antenna.
2. Increase the distance between device and receiver.
3. Connect the device to a circuit socket different from the circuit connected to the receiver.
4. Consult a dealer or experienced radio/TV technician for help